

# MINI-SAMSON RCWS

## Remote Controlled Weapon Station for a Variety of Small Arms Armament



**Mini-Samson RCWS** - A state-of-the-art Remote Controlled Weapon Station for crew protection and target engagement. The **Mini-Samson RCWS** is suitable for any light combat platform such as wheeled/tracked vehicles and fast attack craft/patrol boats.

RAFAEL's **Mini-Samson RCWS** is suitable for integration onto a variety of existing or new fighting vehicles. It provides enhanced accuracy, under-armor operation and flexibility of location at any hatch.



### Main Features

- Complete remote operation
- Day/night operation
- Closed hatch and head-out operation capability
- Electric drives and firing
- Manual emergency mode of operation
- Safety firing inhibit system
- Built-in test
- Variety of weapons
- Low silhouette
- Stabilization for gun and for sight
- Video auto tracker



### Main Advantages

- Lightweight
- Improved gunner protection
- No toxic gas hazard
- Good ergonomics and habitability
- External ejection of spent cartridges and links
- Low weapon depression angles
- Firing while the vehicle is under cover
- Eye contact between the gunner and the vehicle crew
- Easy installation
- Remote control enables operational and technical flexibility
- Manual backup operation

# MINI-SAMSON RCWS

## Technical Data

### Armament (interchangeable by the crew)

- 5.56 mm  
or 7.62 mm  
or 12.7 mm  
or 40 mm AGL  
and others

### Crew

- One (option: dual control posts)

### Ammunition

- 5.56 mm up to 900 rounds ready for use
- 7.62 mm up to 800 rounds ready for use
- 12.7 mm up to 400 rounds ready for use
- 40 mm AGL up to 96 rounds ready for use

### Control

#### Traverse:

- Electrically controlled Nx360°
- High speed 1.0 rad/sec
- Low speed 0.5 mrad/sec

#### Elevation:

- Electrically controlled
- Elevation range: -20° to +60°
- High speed 1.0 rad/sec
- Low speed 0.5 mrad/sec

Manual backup operation

### Optics

- Day sight: Charged Coupled Device (CCD) camera
- Night sight: Thermal cooled or uncooled microbolometer camera (option: LLLTV Camera)
- Other sensors are available on customer request
- Display: LCD monitor, MFD

### Weight

- Over deck assembly: 135 kg / 160 kg (depends on configuration)
- In hull assembly: 20 kg

### Height Above Deck

- 540/620 mm

### Power supply

- 24 VDC

### Other Features

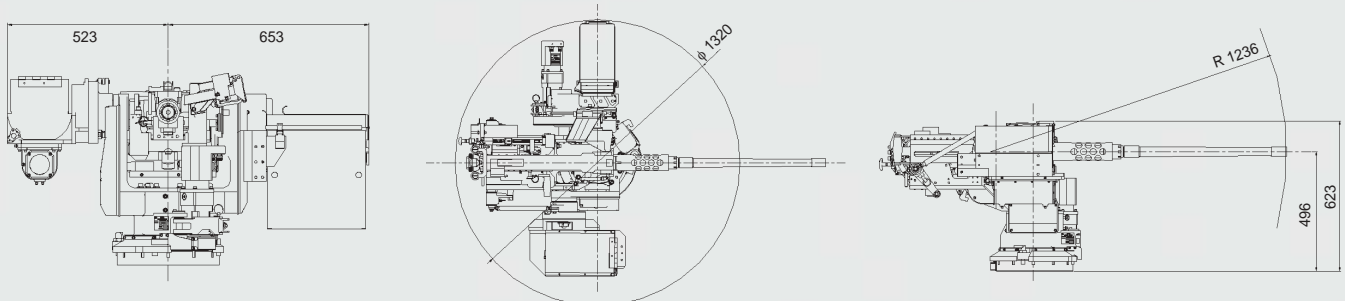
- Fire Control System (FCS)
- Weapon sensor
- Remote charging
- Ammo counter

### Options:

- Slave mode
- Integration of Spike missile
- Long range observation
- "Hunter to killer" mode



## DIMENSIONS IN MM-12.7 mm, HMG



The manufacturer reserves the right to introduce technical changes without prior notice